

**TPC700 Complete Kit**

Series

**TPC700**

Cut Sheet

Polycast 700 Series

**6" Wide POLYCAST 700 Heavy Duty Frame Polymer Concrete Trench Drain Kit**

**New Polymer Concrete Trench Drain with Cast Iron Frame  
6 Inch Wide - 25 Ton Load Iron Grate Standard.**

**Complete system - Each Kit Includes:**

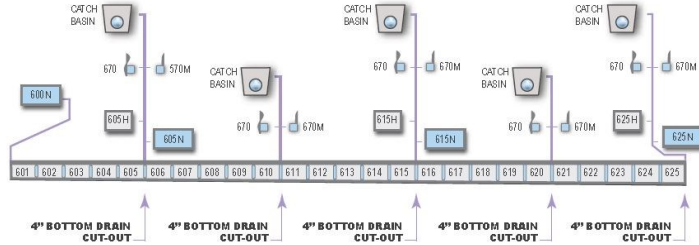
- Specified Number of 48" Long Sections of Trench Drain Channel.
- Specified Number of 24" Long Sections of HARDNOSE Cast Iron Frames.
- Specified Number of C Class Ductile Iron Slotted Grates Standard.
- 1 - Universal End Cap Solid or 4" Inlet.
- 1 - Universal End Cap Solid or 4" Outlet.
- Galvanized Lockdowns for Grates.

**Upgrades Available :**

- UPGRADE Grate to E Class or E Class ADA Longitudinally Slotted.
- ADD Installation Chairs.
- CHOOSE Flat or Linear Fall.
- ADD 2 foot Extension.

**POLYCAST®**

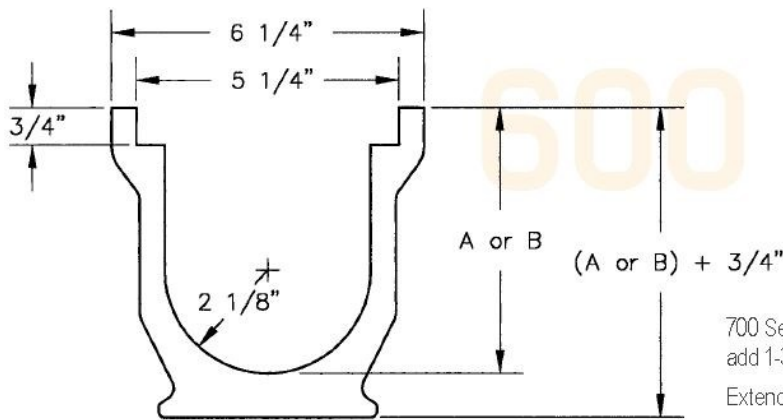
<b>Number</b>  <b>DP0600 Size Chart</b>	<b>Series</b>  <b>TPC600 / 700</b> <b>Channel Size Chart</b> <b>Polycast 600 / 700 Series</b>
---	---



**NOTE 1:** All half and non-sloped channels have bottom cut outs.  
**NOTE 2:** All half and non-sloped channels accept the corresponding end caps.

Channel Number	Weight Lbs.	Inlet DIM 'A'	Outlet DIM 'B'
600N (non-sloped)	43	4-1/16	4-1/16
601	44	4-1/16	4-3/8
602	45	4-3/8	4-11/16
603	46	4-11/16	5
604	46	5	5-5/16
605	47	5-5/16	5-5/8
605N (non-sloped)	48	5-5/8	5-5/8
605H (non-sloped 24")	22	5-5/8	5-5/8
606	49	5-5/8	5-15/16
607	50	5-15/16	6-1/4
608	51	6-1/4	6-9/16
609	52	6-9/16	6-7/8
610	54	6-7/8	7-3/16
611	55	7-3/16	7-1/2
612	56	7-1/2	7-13/16
613	57	7-13/16	8-1/8

Channel Number	Weight Lbs.	Inlet DIM 'A'	Outlet DIM 'B'
614	58	8-1/8	8-7/16
615	59	8-7/16	8-3/4
615N (non-sloped)	61	8-3/4	8-3/4
615H (non-sloped 24")	29	8-3/4	8-3/4
616	62	8-3/4	9-1/16
617	63	9-1/16	9-3/8
618	64	9-3/8	9-11/16
619	65	9-11/16	10
620	66	10	10-5/16
621	68	10-5/16	10-5/8
622	71	10-5/8	10-15/16
623	72	10-15/16	11-1/4
624	75	11-1/4	11-9/16
625	76	11-9/16	11-7/8
625N (non-sloped)	76	11-7/8	11-7/8
625H (non-sloped 24")	38	11-7/8	11-7/8



700 Series HARDNOSE and DURAGUARD® frames add 1-3/16" to dimensions A or B.  
 Extender Panels add 7-13/16" to dimensions A or B.

**Manufacturer**



**Specification**

POLYCAST 600 SERIES PRE-SLOPED TRENCH DRAIN IS A .65% SLOPED TRENCH DRAIN SYSTEM WITH 6 1/4" WIDE X A NOMINAL 48" LONG POLY-ESTER POLYMER CONCRETE CHANNELS WITH TONGUE AND GROOVE CONNECTIONS. CHANNELS 605/610/615/620/625 AND NON-SLOPING (NEUTRALS) WILL BE SUPPLIED WITH DRILL OUTS FOR 4" BOTTOM OUTLET. INSTALLATION CHAIRS RECOMENDED FOR INSTALLATION.

DISCLAIMER - The customer and the customer's architects, engineers, consultants, and other professionals are completely responsible for the selection installation and maintenance of any product purchased from Trenchify and/or its manufacturers. TRENCHIFY MAKES NO WARRANTY, EXPRESS OR IMPLIED, AS TO THE SUITABILITY, DESIGN, MERCHANTABILITY, OR FITNESS OF THE PRODUCT FOR CUSTOMERS APPLICATION. The drawing and information provided remain the property and copyright of the manufacturer listed. The manufacturer reserves the right to modify specification without notice.

1-877-903-7246

# IIIIITRENCHIFY

www.trenchify.com

<b>Number</b> <b>DA0670 &amp; DA0670M</b>	<b>Series</b> <b>TPC600 / 700</b> Endcaps Polycast 600 / 700 Series
--	--



**DA0670**



**DA0670M**

Polycast end caps are used to enclose or provide piping transitions to outlet or inlet ends of the channel whenever catch basins are not being used. End caps output to a 4" pipe. Material is ABS plastic.

Contact the factory for information on polymer concrete end caps.

Description	Part Number
Cap for outlet channel	DA0670
Cap for inlet channel	DA0670M

**Manufacturer**



**Specification**

POLYCAST DA0670 AND DA0670M ENDCAPS ARE USED TO ENCLOSE OR PROVIDE PIPING TRANSITIONS TO OUTLET OR INLET ENDS OF THE CHANNEL WHENEVER CATCH BASINS ARE NOT BEING USED. END CAPS OUTPUT TO 4" PIPE. MATERIAL IS ABS PLASTIC

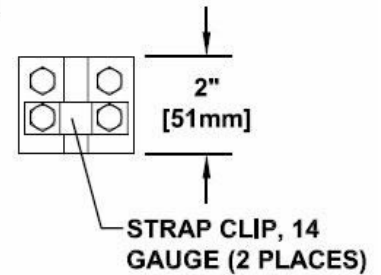
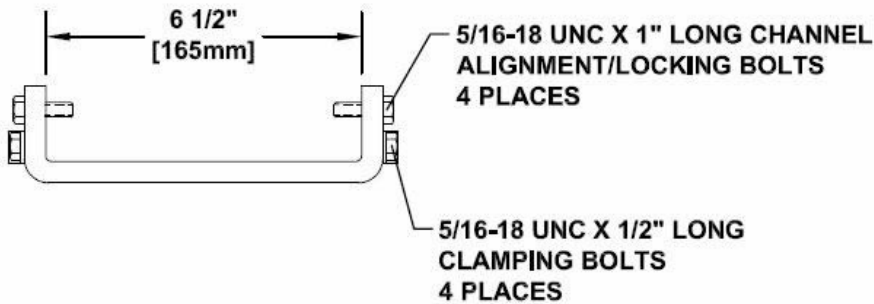
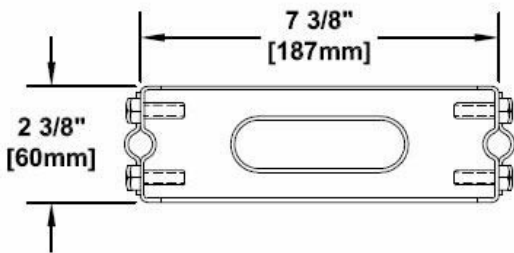
DISCLAIMER - The customer and the customer's architects, engineers, consultants, and other professionals are completely responsible for the selection installation and maintenance of any product purchased from Trenchify and/or its manufacturers. TRENCHIFY MAKES NO WARRANTY, EXPRESS OR IMPLIED, AS TO THE SUITABILITY, DESIGN, MERCHANTABILITY, OR FITNESS OF THE PRODUCT FOR CUSTOMERS APPLICATION. The drawing and information provided remain the property and copyright of the manufacturer listed. The manufacturer reserves the right to modify specification without notice.

1-877-903-7246

# IIIIITRENCHIFY

www.trenchify.com

<b>Number</b>  <b>DA0633</b>	<b>Series</b>  <b>TPC600 / 700</b> Steel Installation Chair Polycast 600 / 700 Series
------------------------------------	---



**Manufacturer**



**Specification**

POLYCAST DA0633 INSTALLATION CHAIR IS THE MOST EFFICIENT AND ECONOMICAL MEANS OF SETTING A PRECAST TRENCH. THE INSTALLATION CHAIR SUPPORTS THE ENDS OF THE CHANNELS, ALIGNS AND LOCKS THE JOINTS RIGIDLY TOGETHER AND PREVENTS THE CHANNELS FROM FLOATING. THE CHAIR IS MADE OF 1018 HOT ROLLED STEEL WITH A ZINC PLATED FINISH AND WEIGHS 1 LBS.

DISCLAIMER - The customer and the customer's architects, engineers, consultants, and other professionals are completely responsible for the selection installation and maintenance of any product purchased from Trenchify and/or its manufacturers. TRENCHIFY MAKES NO WARRANTY, EXPRESS OR IMPLIED, AS TO THE SUITABILITY, DESIGN, MERCHANTABILITY, OR FITNESS OF THE PRODUCT FOR CUSTOMERS APPLICATION. The drawing and information provided remain the property and copyright of the manufacturer listed. The manufacturer reserves the right to modify specification without notice.

1-877-903-7246

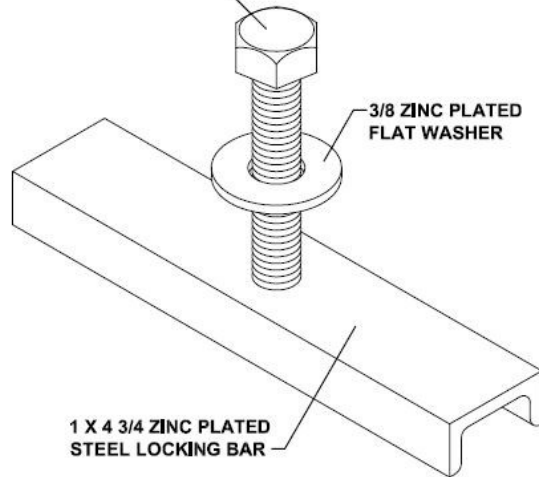
# IIIIITRENCHIFY

www.trenchify.com

<b>Number</b>  <p style="text-align: center;"><b>DA0642B</b></p>	<b>Series</b>  <p style="text-align: center;"><b>TPC600 / 700</b> Grate Locking Devices Polycast 600 / 700 Series</p>
--	---



3/8-16 UNC X 2 LONG ZINC PLATED HEX HEAD BOLT



3/8 ZINC PLATED FLAT WASHER

1 X 4 3/4 ZINC PLATED STEEL LOCKING BAR

Grate Options (Select One)			
<input checked="" type="checkbox"/>	Grate Type	Part No.	DIN Load Class
<input type="checkbox"/>	Cast Iron Slotted	DG0641	Class C
<input type="checkbox"/>	Ductile Iron Slotted	DG0641D	Class D
<input type="checkbox"/>	Cast Iron Solid (ADA Compliant)	DG0641S	Class D
<input type="checkbox"/>	Ductile Iron Longitudinal Slotted (ADA Compliant)	DG0675HD	Class D

**Manufacturer**



**Specification**

POLYCAST DA0642B SERIES LOCKING DEVICES ARE TO BE USED WITH ALL GRATING SYSTEMS WHERE WHEEL TRAFFIC OCCURS. THIS IS NECESSARY TO PROVIDE SYSTEM INTEGRITY

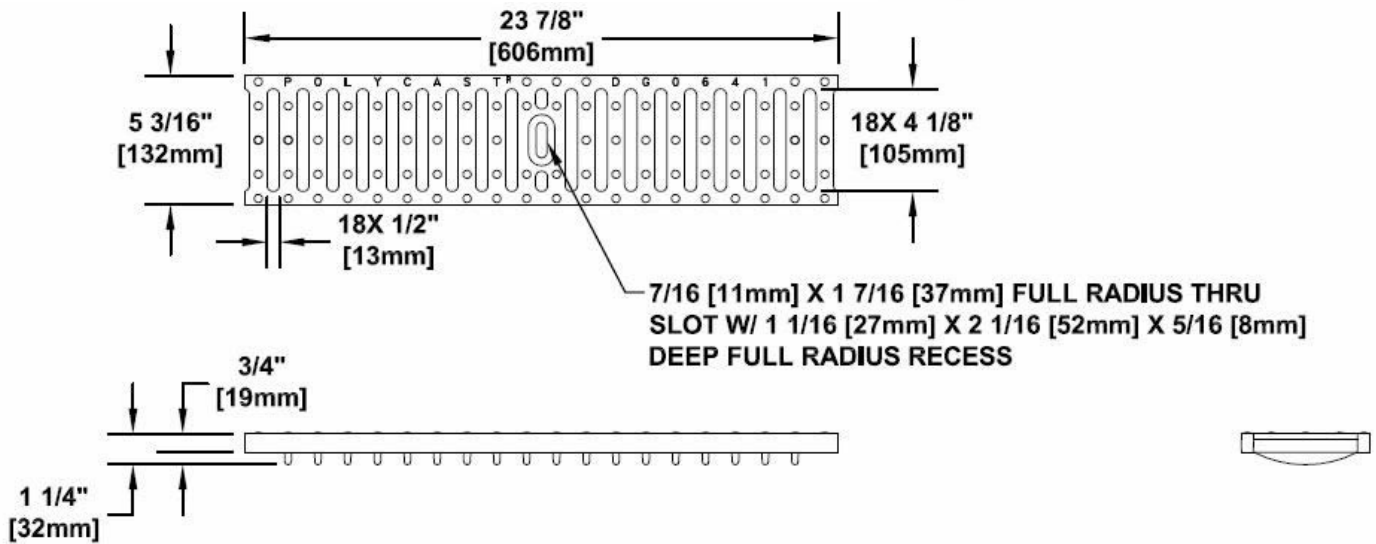
DISCLAIMER - The customer and the customer's architects, engineers, consultants, and other professionals are completely responsible for the selection installation and maintenance of any product purchased from Trenchify and/or its manufacturers. TRENCHIFY MAKES NO WARRANTY, EXPRESS OR IMPLIED, AS TO THE SUITABILITY, DESIGN, MERCHANTABILITY, OR FITNESS OF THE PRODUCT FOR CUSTOMERS APPLICATION. The drawing and information provided remain the property and copyright of the manufacturer listed. The manufacturer reserves the right to modify specification without notice.

1-877-903-7246

# IIIIITRENCHIFY

www.trenchify.com

<p><b>Number</b></p> <p style="text-align: center;"><b>DG0641</b></p>	<p><b>Series</b></p> <p style="text-align: center;"><b>TPC600 / 700</b></p> <p style="text-align: center;">C Class Ductile Iron Grate Polycast 600 / 700 Series</p>
---	---



**Manufacturer**



**Specification**

POLYCAST DG0641 IS APPROPRIATE FOR MANY GENERAL USE CONDITIONS. GRATE LOCKING DEVICE PART NO DA0642B SHOULD BE USED AND MAINTAINED SECURE. THE GRATE HAS 39% (40IN2) OF OPEN AREA. THE GRATE IS MADE OF ASTM A48 GR. 30-B OR GR. 35-B AND WEIGHS APPROXIMATELY 14LBS. THE GRATE IS ONLY AVAILABLE IN A 24' (610mm) LENGTH. MEETS LOAD CLASS C.

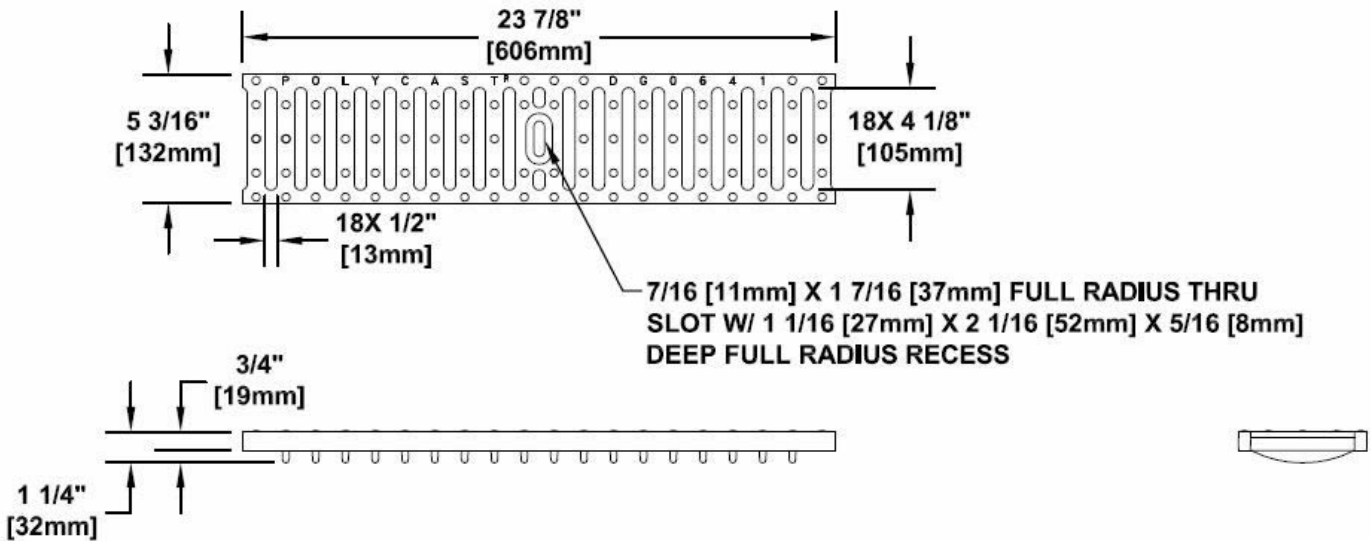
DISCLAIMER - The customer and the customer's architects, engineers, consultants, and other professionals are completely responsible for the selection installation and maintenance of any product purchased from Trenchify and/or its manufacturers. TRENCHIFY MAKES NO WARRANTY, EXPRESS OR IMPLIED, AS TO THE SUITABILITY, DESIGN, MERCHANTABILITY, OR FITNESS OF THE PRODUCT FOR CUSTOMERS APPLICATION. The drawing and information provided remain the property and copyright of the manufacturer listed. The manufacturer reserves the right to modify specification without notice.

1-877-903-7246

# IIIIITRENCHIFY

www.trenchify.com

<p><b>Number</b></p> <p style="text-align: center;"><b>DG0641D</b></p>	<p><b>Series</b></p> <p style="text-align: center;"><b>TPC600 / 700</b></p> <p style="text-align: center;">D Class Ductile Iron Grate Polycast 600 / 700 Series</p>
--	---



**Manufacturer**



**Specification**

POLYCAST DG0641D IS APPROPRIATE FOR MANY GENERAL USE CONDITIONS. LOCKING DEVICE SHOULD BE USED. THE GRATE HAS 39% (40IN2) OF OPEN AREA. THE GRATE IS MADE OF ASTM A536 GR. 65-45-12 AND WEIGHS 13LBS. 24' LENGTH. LOAD CLASS D WHEN USED ALONE IN A 600 SERIES CHANNEL. MEETS LOAD CLASS E WHEN USED IN CONJUNCTION WITH A DG0700AA FRAME.

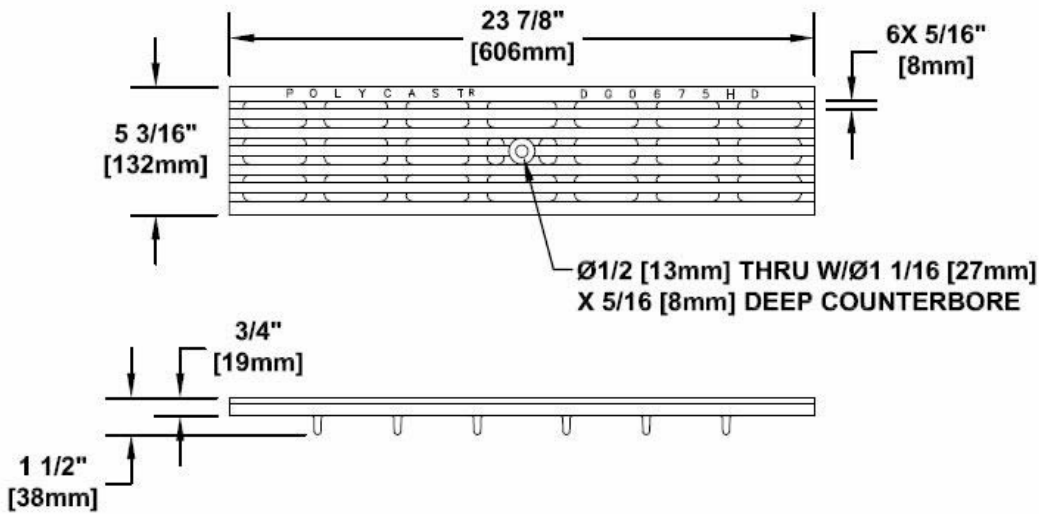
DISCLAIMER - The customer and the customer's architects, engineers, consultants, and other professionals are completely responsible for the selection installation and maintenance of any product purchased from Trenchify and/or its manufacturers. TRENCHIFY MAKES NO WARRANTY, EXPRESS OR IMPLIED, AS TO THE SUITABILITY, DESIGN, MERCHANTABILITY, OR FITNESS OF THE PRODUCT FOR CUSTOMERS APPLICATION. The drawing and information provided remain the property and copyright of the manufacturer listed. The manufacturer reserves the right to modify specification without notice.

1-877-903-7246

# IIIIITRENCHIFY

www.trenchify.com

<p><b>Number</b></p> <p style="text-align: center;"><b>DG0675HD</b></p>	<p><b>Series</b></p> <p style="text-align: center;"><b>TPC600 / 700</b></p> <p style="text-align: center;">D DI ADA Longitudinal Grate Polycast 600 / 700 Series</p>
---	--



**Manufacturer**



**Specification**

POLYCAST DG0675HD DUCTILE IRON LONGITUDINALLY SLOTTED ADA GRATE HAS 26% (32IN2) OF OPEN AREA. THE GRATE IS MADE OF ASTM A536 GR. 65-45-12 AND WEIGHS 15LBS. 24' LENGTH. LOAD CLASS D WHEN USED ALONE IN A 600 SERIES CHANNEL.. MEETS LOAD CLASS E WHEN USED IN CONJUNCTION WITH A DG0700AA FRAME. LOCKING DEVICES SHOULD BE USED TO SECURE.

DISCLAIMER - The customer and the customer's architects, engineers, consultants, and other professionals are completely responsible for the selection installation and maintenance of any product purchased from Trenchify and/or its manufacturers. TRENCHIFY MAKES NO WARRANTY, EXPRESS OR IMPLIED, AS TO THE SUITABILITY, DESIGN, MERCHANTABILITY, OR FITNESS OF THE PRODUCT FOR CUSTOMERS APPLICATION. The drawing and information provided remain the property and copyright of the manufacturer listed. The manufacturer reserves the right to modify specification without notice.