

NDL150 Complete Kit

Series

NDL150
Cover Sheet
NDL150**6" Wide HDPE Trench Drain Kit Complete****New Commercial Trench Drain / Driveway Drain
6 Inch Wide - B Class Galvanized Grates Standard****Complete System - Each Kit Includes:**

Specified number of 4 foot sections of trench drain
Specified number of galvanized slotted grates with Lock Bars w/Bolts and construction covers.

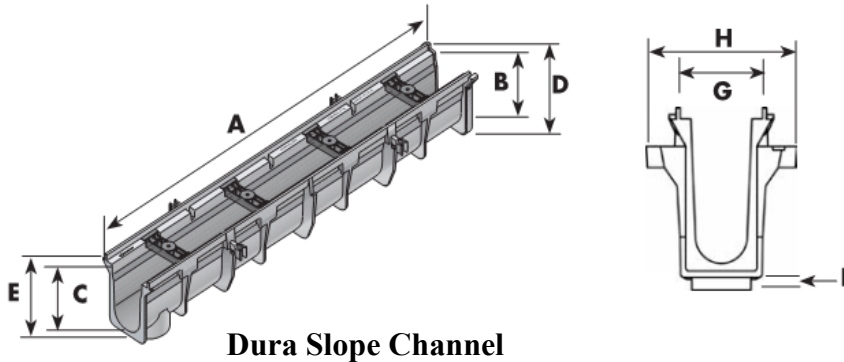
1 - Solid End Cap and 1 - 4" End Outlet

Key advantages of the NDL150 HDPE Kits:

- High Density Polyethylene Channels
- Load Classes up to D Class
- Presloped Channels
- 194' of Continuous Slope 266' w/Neutral Sections Added
- 6"W x 48"L Channels
- Depths from 3.9" to 12'




Number DS Channel	Series NDL150 Trench Drain Channel Dura Slope
--	--



DIMENSION KEY	
A:	Length
B:	Min. Inner Depth
C:	Max. Inner Depth
D:	Min. Outer Depth
E:	Max. Outer depth
COMMON DIMENSION FOR ALL CHANNEL SECTIONS	
F:	Bottom Outlet Depth 0.65"
G:	Width 6"
H:	Re-bar Lock Width 10.185"

PART NUMBERS	WEIGHT (LBS)	FLOW RATE GPM	LPM	DIMENSIONS (INCHES)					PRODUCT CLASS
				A	B	C	D	E	
DS-090N	7.452	75	284	48"	3.998	3.998	5.354	5.760	25DS
DS-091	7.524	75	284	48"	3.998	4.334	5.690	5.770	25DS
DS-091N	7.812	89	337	48"	4.334	4.334	5.692	6.103	25DS
DS-092	7.929	89	337	48"	4.334	4.670	6.026	6.106	25DS
DS-a093	8.269	103	390	48"	4.670	5.006	6.362	6.442	25DS
DS-094	8.638	117	443	48"	5.006	5.342	6.698	6.778	25DS
DS-094N	8.926	131	496	48"	5.342	5.342	6.700	7.111	25DS
DS-095	8.998	131	496	48"	5.342	5.678	7.034	7.114	25DS
DS-096	9.369	145	549	48"	5.678	6.014	7.370	7.450	25DS
DS-097	9.741	159	602	48"	6.014	6.350	7.706	7.786	25DS
DS-097N	10.040	173	655	48"	6.350	6.350	7.708	8.119	25DS
DS-098	10.112	173	655	48"	6.350	6.686	8.042	8.122	25DS
DS-099	10.484	187	708	48"	6.686	7.022	8.378	8.458	25DS
DS-100	10.856	201	761	48"	7.022	7.358	8.714	8.794	25DS
DS-100N	11.156	215	814	48"	7.358	7.358	8.716	9.127	25DS
DS-101	11.228	215	814	48"	7.358	7.694	9.050	9.130	25DS
DS-102	11.599	229	867	48"	7.694	8.030	9.386	9.466	25DS
DS-103	11.971	243	920	48"	8.030	8.366	9.722	9.802	25DS
DS-103N	12.271	257	973	48"	8.366	8.366	9.724	10.135	25DS
DS-104	12.343	257	973	48"	8.366	8.702	10.058	10.138	25DS
DS-105	12.714	271	1026	48"	8.702	9.038	10.394	10.474	25DS
DS-106	13.086	285	1079	48"	9.038	9.374	10.730	10.810	25DS
DS-106N	13.386	299	1132	48"	9.374	9.374	10.732	11.143	25DS
DS-107	13.458	299	1132	48"	9.374	9.710	11.066	11.146	25DS
DS-108	13.829	313	1185	48"	9.710	10.046	11.402	11.482	25DS
DS-109	14.201	327	1238	48"	10.046	10.382	11.738	11.818	25DS
DS-109N	14.501	341	1291	48"	10.382	10.382	11.740	12.151	25DS
DS-110	14.573	341	1291	48"	10.382	10.718	12.074	12.154	25DS
DS-111	14.945	355	1344	48"	10.718	11.054	12.410	12.490	25DS
DS-112	15.316	368	1393	48"	11.054	11.390	12.746	12.826	25DS
DS-112N	15.616	382	1446	48"	11.390	11.390	12.785	13.158	25DS
DS-113	15.688	382	1446	48"	11.390	11.726	13.082	13.162	25DS
DS-114	16.060	396	1499	48"	11.726	12.062	13.418	13.498	25DS

Manufacturer 	Specification NDS DURA SLOPE CHANNELS SHALL BE 48" LONG WITH 6" INTERNAL WIDTH AND RADIUSUED BOTTOM. INTERCONNECTING CHANNEL SECTIONS SHALL BE MADE OF HDPE (HIGH DENSITY POLY ETHYLENE) MATERIAL AND AVAILABLE WITH AND WITHOUT SLOPE WITH INTEGRAL CHANNEL SUPPORTS CAPABLE OF ACCEPTING RE-BAR. SUPPLIED BY TRENCHIFY
--	--

DISCLAIMER - The customer and the customer's architects, engineers, consultants, and other professionals are completely responsible for the selection installation and maintenance of any product purchased from Trenchify and/or its manufacturers. TRENCHIFY MAKES NO WARRANTY, EXPRESS OR IMPLIED, AS TO THE SUITABILITY, DESIGN, MERCHANTABILITY, OR FITNESS OF THE PRODUCT FOR CUSTOMERS APPLICATION. The drawing and information provided remain the property and copyright of the manufacturer listed. The manufacturer reserves the right to modify specification without notice.

1-877-903-7246

IIIIITRENCHIFY

www.trenchify.com

Number DS-224 DS-227 DS-126	Series NDL150 & NDL150HD End Cap Set NDS DURA SLOPE
--	---

DS-224 Solid End Cap



Replaces DS-124, which will not work with DS-113 or deeper channels. Slides into upstream (female) end. Requires DS-123 on downstream (male) end.

DS-227 Outlet End Cap




Replaces DS-127, which will not work with DS-113 or deeper channels. Requires DS-123 screws for use on downstream (male) end. Fits to 4" S&D Pipe.



DS-126 Bottom Outlet









Fits to 4" S&D Pipe. DS-126 not required for Sch. 40 Connection.

Manufacturer 	Specification NDS END CAP SET FOR DURA SLOPE 6" INTERIOR WIDTH TRENCH CHANNELS. MADE WITH HDPE MATERIAL AND DESIGNED TO FIT SECURELY IN DURA SLOPE CHANNELS SUPPLIED BY TRENCHIFY
--	--

DISCLAIMER - The customer and the customer's architects, engineers, consultants, and other professionals are completely responsible for the selection installation and maintenance of any product purchased from Trenchify and/or its manufacturers. TRENCHIFY MAKES NO WARRANTY, EXPRESS OR IMPLIED, AS TO THE SUITABILITY, DESIGN, MERCHANTABILITY, OR FITNESS OF THE PRODUCT FOR CUSTOMERS APPLICATION. The drawing and information provided remain the property and copyright of the manufacturer listed. The manufacturer reserves the right to modify specification without notice.

Number NDS DS-xxx	Series NDS Dura Slope Accessories
---------------------------------	--

DURA SLOPE ACCESSORIES

	Part No.	Description	Color
	DS-122	ProFit™ Grate Lock	Black
	DS-123	Dura Slope Frame & End Cap Screws PH. # 6 x 3/8" Use on DS-124 universal end cap & DS-127 Universal End Outlet downstream for (male) end. Use to attach DS-200 DI Frame to Channel	Steel
	DS-224	Universal End Cap Replaces DS-124, which will not work with DS-113 or deeper channels. Slides into upstream (female) end, Requires DS-123 screws on downstream (male) end.	Gray
	DS-227	Universal End Outlet Replaces DS-127, which will not work with DS-113 or deeper channels. Requires DS-123 screws for use on downstream (male) end. Fits to 4" S&D Pipe	Gray
 2 1/2"	DS-126	Bottom Outlet Adapter Fits to 4" S&D Pipe. DS-126 not required for Sch. 40 connection.	Gray
	629	Grate Screws FH # 3/4 - 20 x 1 1/2" Use with Grate # DS-231, DS-232, DS-670, DS-226 and 660-665. Use to secure grates in applications without DS-200 DI Frame	Steel
	DS-225	Dura Slope Ductile Iron Frame Screws FH # 3/4 - 20 x 2 1/2" Use to secure grates in applications that utilize DS-200 DI Frame	Steel
 6 1/2" 1"	DS-200	Dura Slope Ductile Iron Frame Use with Dura Slope Drains (page 40), Dura Slope Catch Basins (page 42). To be used with DS-231 or DS-232 grates.	Black

Manufacturer



Specification

NDS DS-xxx Dura Slope Accessories for use with the NDS 100, 200, and 600 series.

SUPPLIED BY TRENCHIFY

DISCLAIMER - The customer and the customer's architects, engineers, consultants, and other professionals are completely responsible for the selection installation and maintenance of any product purchased from Trenchify and/or its manufacturers. TRENCHIFY MAKES NO WARRANTY, EXPRESS OR IMPLIED, AS TO THE SUITABILITY, DESIGN, MERCHANTABILITY, OR FITNESS OF THE PRODUCT FOR CUSTOMERS APPLICATION. The drawing and information provided remain the property and copyright of the manufacturer listed. The manufacturer reserves the right to modify specification without notice.

1-877-903-7246

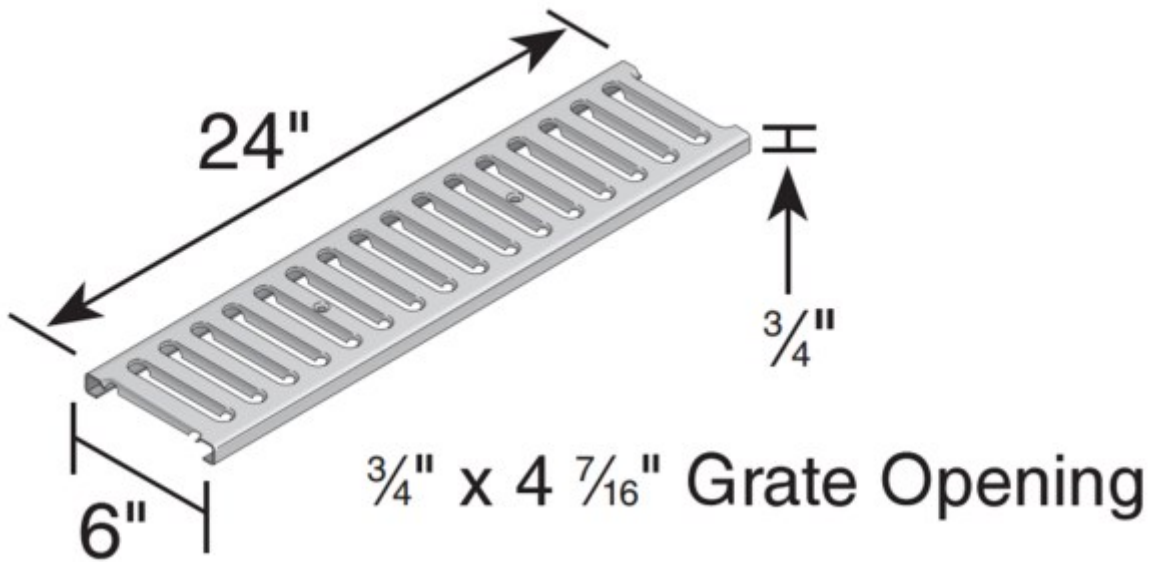
IIIIITRENCHIFY


www.trenchify.com

Number NDS DS-221	Series NDL150 B Galvanized Steel Slotted Grate
---------------------------------	---



<u>PART NUMBER</u>	<u>DIMENSIONS</u>	<u>FREE AREA</u>
DS-221	24" Long	23.09 SQ. IN.



Manufacturer 	Specification NDS DS-221 GALVANIZED SLOTTED TRENCH DRAIN GRATE WITH CLASS B LOAD RATING (28,100 LBS. - 175 PSI), SUPPLIED BY TRENCHIFY
--	---

DISCLAIMER - The customer and the customer's architects, engineers, consultants, and other professionals are completely responsible for the selection installation and maintenance of any product purchased from Trenchify and/or its manufacturers. TRENCHIFY MAKES NO WARRANTY, EXPRESS OR IMPLIED, AS TO THE SUITABILITY, DESIGN, MERCHANTABILITY, OR FITNESS OF THE PRODUCT FOR CUSTOMERS APPLICATION. The drawing and information provided remain the property and copyright of the manufacturer listed. The manufacturer reserves the right to modify specification without notice.

1-877-903-7246

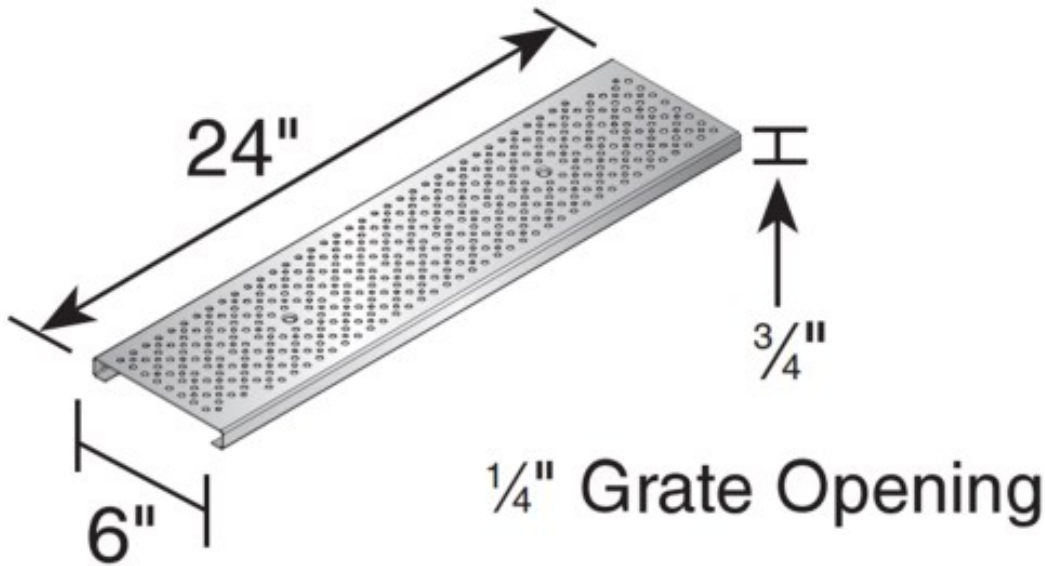
IIIIITRENCHIFY


www.trenchify.com

Number NDS DS-228	Series NDL150 A Galvanized Steel Perforated Grate
------------------------------------	---



<u>PART NUMBER</u>	<u>DIMENSIONS</u>	<u>FREE AREA</u>
DS-228	24" Long	7.63 SQ. IN.



Manufacturer 	Specification NDS DS-228 GALVANIZED PERFORATED TRENCH DRAIN GRATE WITH CLASS B LOAD RATING (3,372 LBS. - 60 PSI), SUPPLIED BY TRENCHIFY
--	--

DISCLAIMER - The customer and the customer's architects, engineers, consultants, and other professionals are completely responsible for the selection installation and maintenance of any product purchased from Trenchify and/or its manufacturers. TRENCHIFY MAKES NO WARRANTY, EXPRESS OR IMPLIED, AS TO THE SUITABILITY, DESIGN, MERCHANTABILITY, OR FITNESS OF THE PRODUCT FOR CUSTOMERS APPLICATION. The drawing and information provided remain the property and copyright of the manufacturer listed. The manufacturer reserves the right to modify specification without notice.

1-877-903-7246

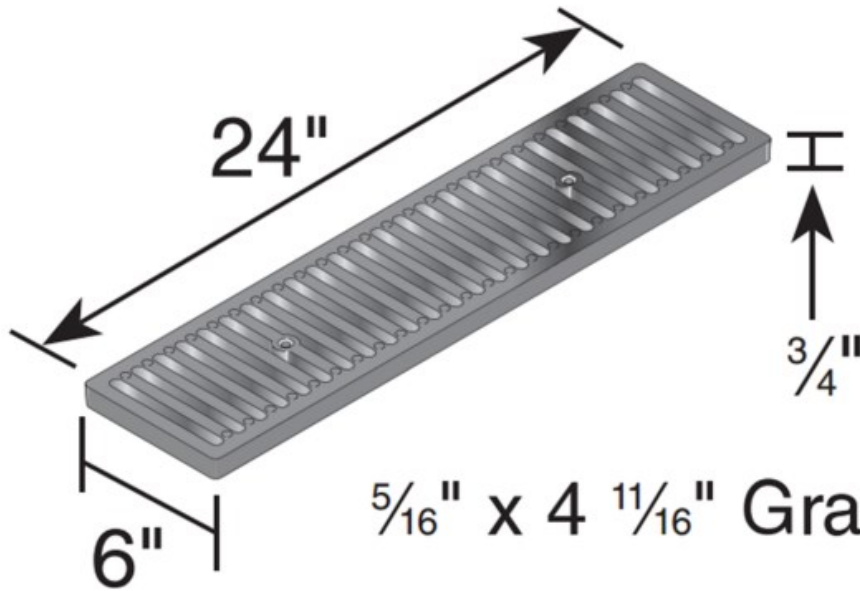
IIIIITRENCHIFY


www.trenchify.com

Number NDS DS-232	Series NDL150 D Ductile Iron Slotted Grate
------------------------------------	--



<u>PART NUMBER</u>	<u>DIMENSIONS</u>	<u>FREE AREA</u>
DS-232	24" Long	20.85 SQ. IN.



Manufacturer 	Specification NDS DS-232 DUCTILE IRON SLOTTED TRENCH DRAIN GRATE WITH CLASS B LOAD RATING (89,920 LBS. - 575 PSI), SUPPLIED BY TRENCHIFY
--	---

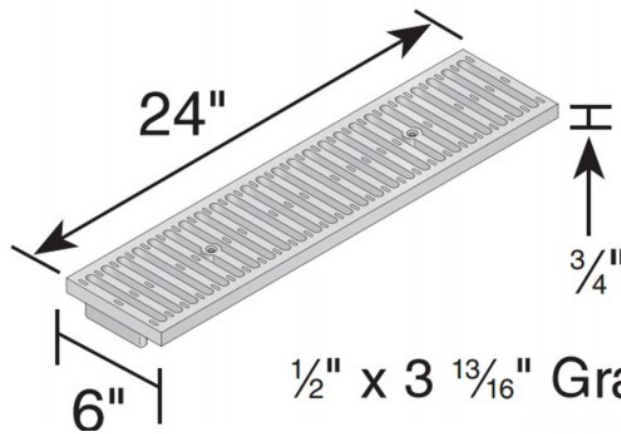
DISCLAIMER - The customer and the customer's architects, engineers, consultants, and other professionals are completely responsible for the selection installation and maintenance of any product purchased from Trenchify and/or its manufacturers. TRENCHIFY MAKES NO WARRANTY, EXPRESS OR IMPLIED, AS TO THE SUITABILITY, DESIGN, MERCHANTABILITY, OR FITNESS OF THE PRODUCT FOR CUSTOMERS APPLICATION. The drawing and information provided remain the property and copyright of the manufacturer listed. The manufacturer reserves the right to modify specification without notice.

1-877-903-7246

IIIIITRENCHIFY

www.trenchify.com

<p>Number NDS-660, 661, 661LG, 662, 664 & 665</p>	<p>Series NDL150 B HDPE Slotted Grate</p>
--	---



PART NUMBER	DIMENSIONS	FREE AREA
660 - 665	24" Long	25.40 SQ. IN.

Manufacturer



Specification

NDS 660-665 SLOTTED TRENCH DRAIN GRATE WITH CLASS B LOAD RATING (28,100 LBS. - 175 PSI),

SUPPLIED BY TRENCHIFY

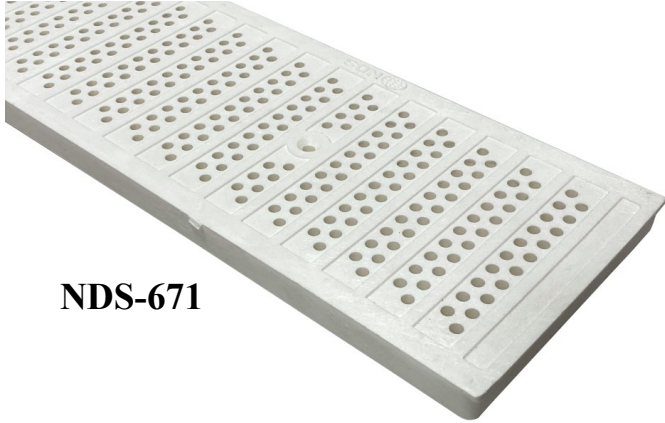
DISCLAIMER - The customer and the customer's architects, engineers, consultants, and other professionals are completely responsible for the selection installation and maintenance of any product purchased from Trenchify and/or its manufacturers. TRENCHIFY MAKES NO WARRANTY, EXPRESS OR IMPLIED, AS TO THE SUITABILITY, DESIGN, MERCHANTABILITY, OR FITNESS OF THE PRODUCT FOR CUSTOMERS APPLICATION. The drawing and information provided remain the property and copyright of the manufacturer listed. The manufacturer reserves the right to modify specification without notice.

1-877-903-7246

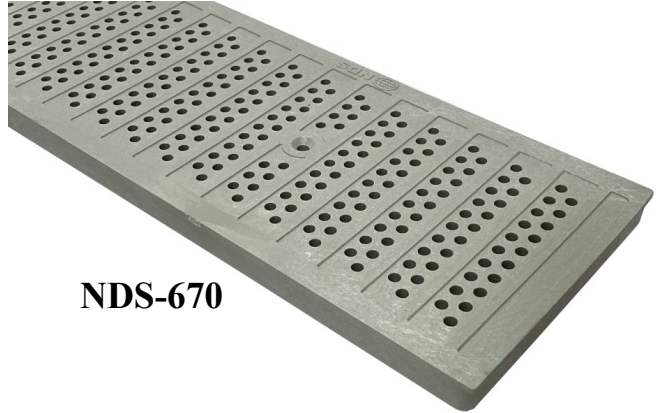
IIIIITRENCHIFY

www.trenchify.com

Number NDS-670 & NDS-671	Series NDL150 B HDPE Perforated Grate
---	---

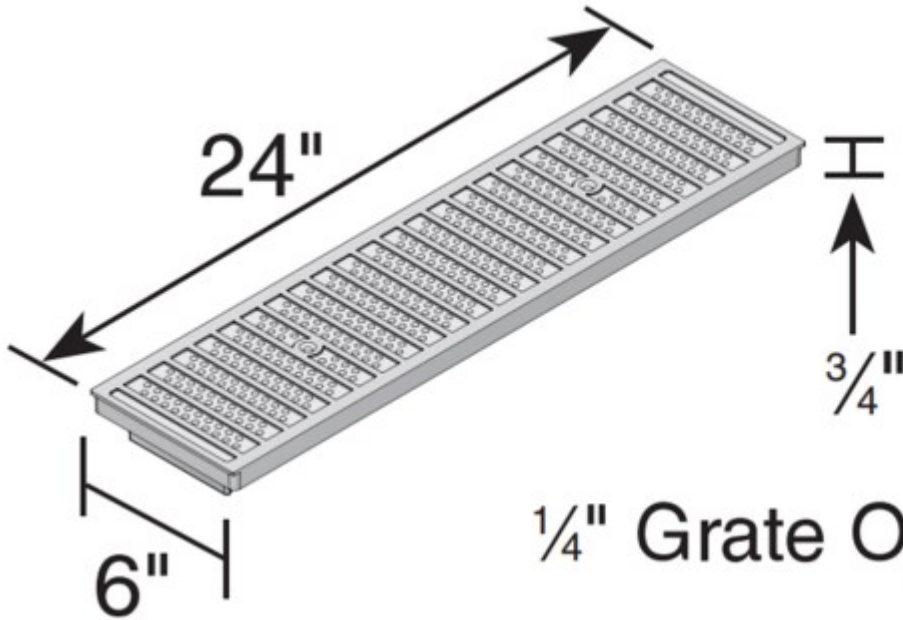



NDS-671



NDS-670

PART NUMBER	DIMENSIONS	FREE AREA
670 & 671	24" Long	8.75 SQ. IN.



Manufacturer 	Specification NDS 670 & 671 DUCTILE IRON SLOTTED TRENCH DRAIN GRATE WITH CLASS B LOAD RATING (28,100 LBS. - 175 PSI), SUPPLIED BY TRENCHIFY
--	--

DISCLAIMER - The customer and the customer's architects, engineers, consultants, and other professionals are completely responsible for the selection installation and maintenance of any product purchased from Trenchify and/or its manufacturers. TRENCHIFY MAKES NO WARRANTY, EXPRESS OR IMPLIED, AS TO THE SUITABILITY, DESIGN, MERCHANTABILITY, OR FITNESS OF THE PRODUCT FOR CUSTOMERS APPLICATION. The drawing and information provided remain the property and copyright of the manufacturer listed. The manufacturer reserves the right to modify specification without notice.