

CPS100 Complete Kit

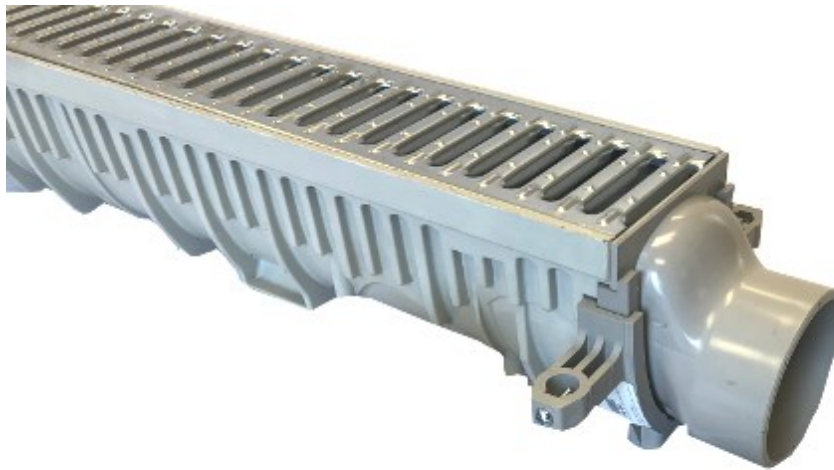
Series

CPS100

Cover Sheet

Pro Plus 100

4" Wide Glass Fiber Polyester Trench Drain Kit 10 - 99 Foot Complete



New Commercial Trench Drain / Driveway Drain 4 Inch Wide - A Class Galvanized Grates Standard

Complete system - Each Kit Includes:

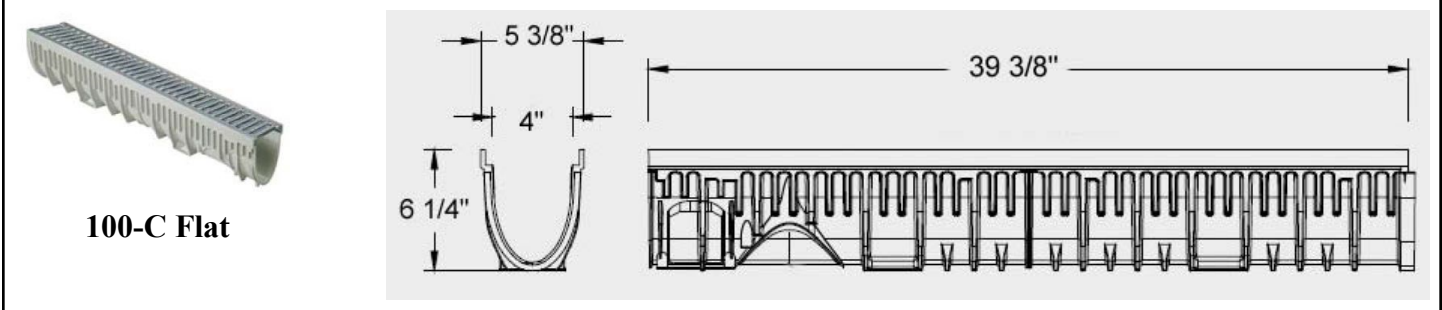
- Specified number of 1 meter sections of trench drain
- Specified number of galvanized slotted grates with "Starfix" Locks
 - 1 - Bottom outlet connector
 - 2 - Solid End Caps and 1 - 4" End Outlet

Key advantages of the innovative Channel Material SMC/GRP:

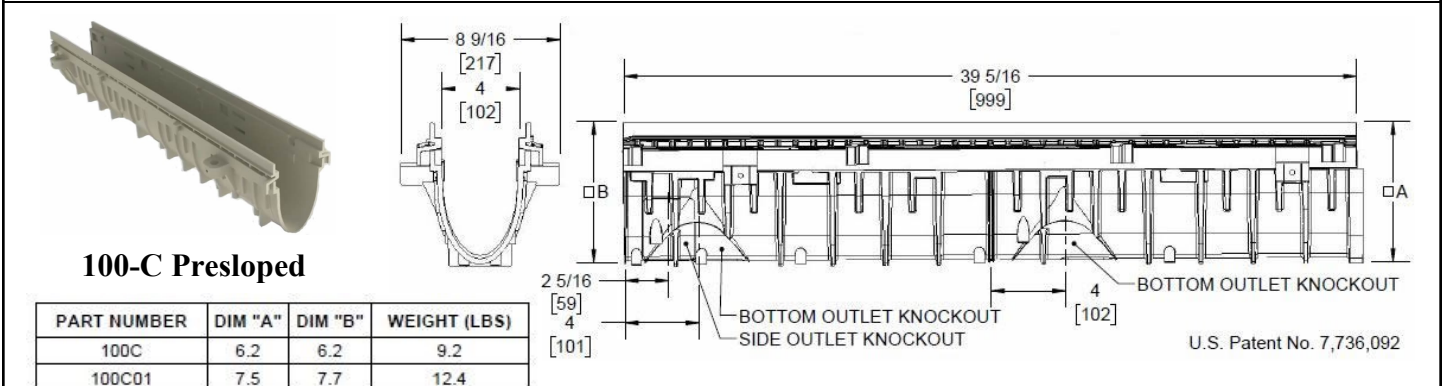
- Shatterproof and extremely resistant to abrasion
- Frost, heat and rust resistant
- Lightweight
- Non-porous structure with a smooth surface
- Resistant to chemicals - Resistant to oil, gasoline, hot asphalt and tartaric acid
- Non-flammable - Free of halogens, asbestos and toxic heavy metals
- An excellent cost / performance material - Recyclable

JOSAM
PRO-PLUS
Trench Drain System

Number 100C Channel	Series CPS100 Trench Drain Channel Pro Plus 100
--	--



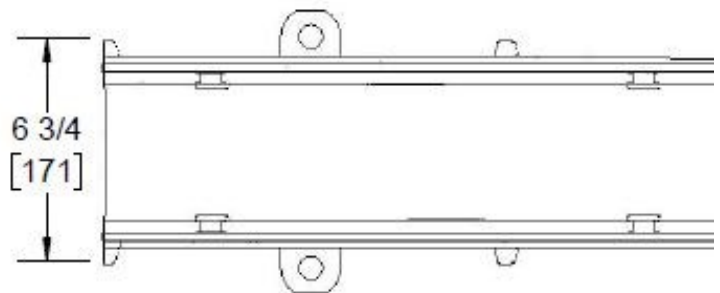
100-C Flat



100-C Presloped

PART NUMBER	DIM "A"	DIM "B"	WEIGHT (LBS)
100C	6.2	6.2	9.2
100C01	7.5	7.7	12.4
100C02	7.7	7.9	12.6
100C03	7.9	8.1	12.8
100C04	8.1	8.3	12.9
100C05	8.3	8.5	13.1
100C05N	8.5	8.5	13.3
100C06	8.5	8.7	13.4
100C07	8.7	8.9	13.6
100C08	8.9	9.1	13.8
100C09	9.1	9.3	14.0
100C10	9.3	9.5	14.2
100C11	9.5	9.7	17.1
100C12	9.7	9.9	17.3
100C13	9.9	10.1	17.5
100C14	10.1	10.3	17.6
100C15	10.3	10.5	17.8
100C15N	10.5	10.5	18.0
100C16	10.5	10.7	18.1
100C17	10.7	10.9	18.3
100C18	10.9	11.1	18.5
100C19	11.1	11.3	18.7
100C20	11.3	11.5	18.9

U.S. Patent No. 7,736,092



Manufacturer



Specification

JOSAM 100C SERIES CHANNELS SHALL BE 39.4" (1000) LONG WITH 4" (102) INTERNAL WIDTH AND RADIUSED BOTTOM. INTERCONNECTING CHANNEL SECTIONS SHALL BE MADE OF SMC/GRP (SHEET MOLDING COMPOUND/GLASS REINFORCED POLYESTER) MATERIAL AND AVAILABLE WITH AND WITHOUT SLOPE WITH INTEGRAL CHANNEL SUPPORTS CAPABLE OF ACCEPTING RE-BAR. SUPPLIED BY TRENCHIFY

DISCLAIMER - The customer and the customer's architects, engineers, consultants, and other professionals are completely responsible for the selection installation and maintenance of any product purchased from Trenchify and/or its manufacturers. TRENCHIFY MAKES NO WARRANTY, EXPRESS OR IMPLIED, AS TO THE SUITABILITY, DESIGN, MERCHANTABILITY, OR FITNESS OF THE PRODUCT FOR CUSTOMERS APPLICATION. The drawing and information provided remain the property and copyright of the manufacturer listed. The manufacturer reserves the right to modify specification without notice.

1-877-903-7246

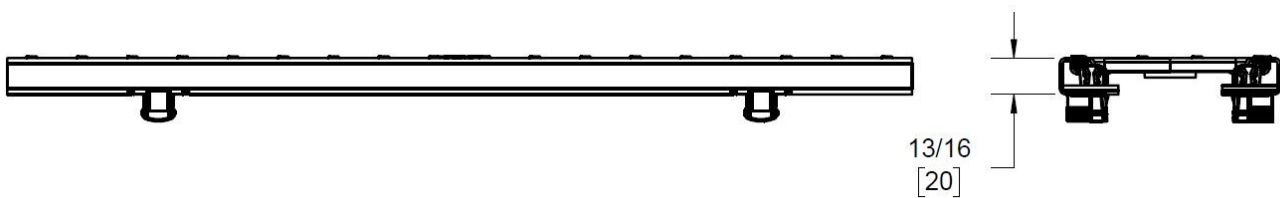
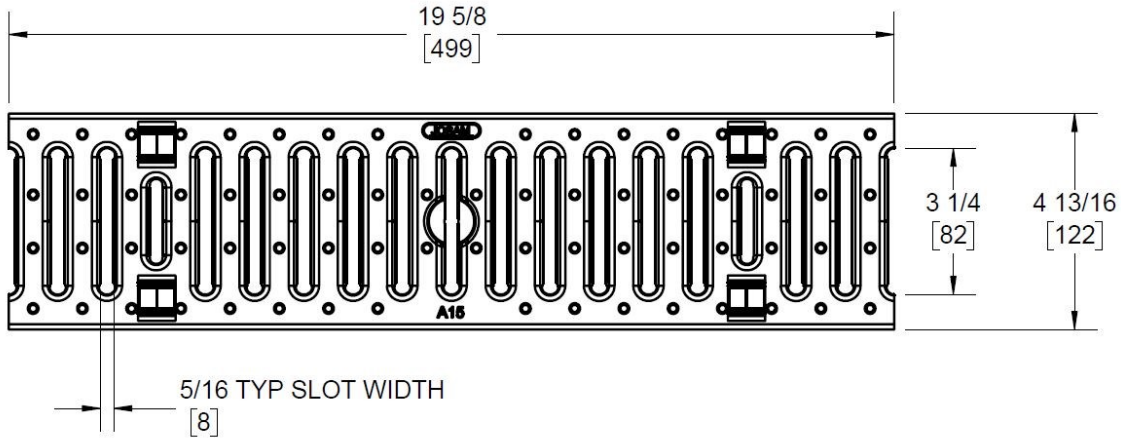
IIIIITRENCHIFY

www.trenchify.com

Number 100-GSS-A-PS	Series CPS100 A Class Galvanized Slotted Grate Pro Plus 100
--------------------------------------	--



NOTE:
FREE AREA IS 16.5 SQ. IN.
PER 1/2 METER GRATE



Manufacturer



Specification

JOSAM 100-GSS-A-PS GALVANIZED STEEL SLOTTED GRATE WITH PRO-SNAP™ SECUREMENT. MEETS CLASS A LOADING REQUIREMENTS. MEETS ADA AND HEELPROOF SLOT REQUIREMENTS. SUPPLIED BY TRENCHIFY.

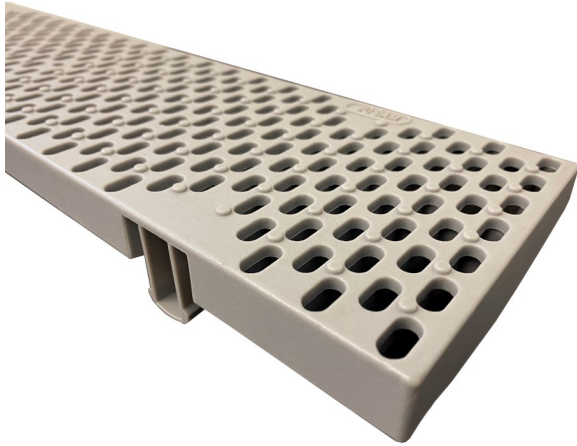
DISCLAIMER - The customer and the customer's architects, engineers, consultants, and other professionals are completely responsible for the selection installation and maintenance of any product purchased from Trenchify and/or its manufacturers. TRENCHIFY MAKES NO WARRANTY, EXPRESS OR IMPLIED, AS TO THE SUITABILITY, DESIGN, MERCHANTABILITY, OR FITNESS OF THE PRODUCT FOR CUSTOMERS APPLICATION. The drawing and information provided remain the property and copyright of the manufacturer listed. The manufacturer reserves the right to modify specification without notice.

1-877-903-7246

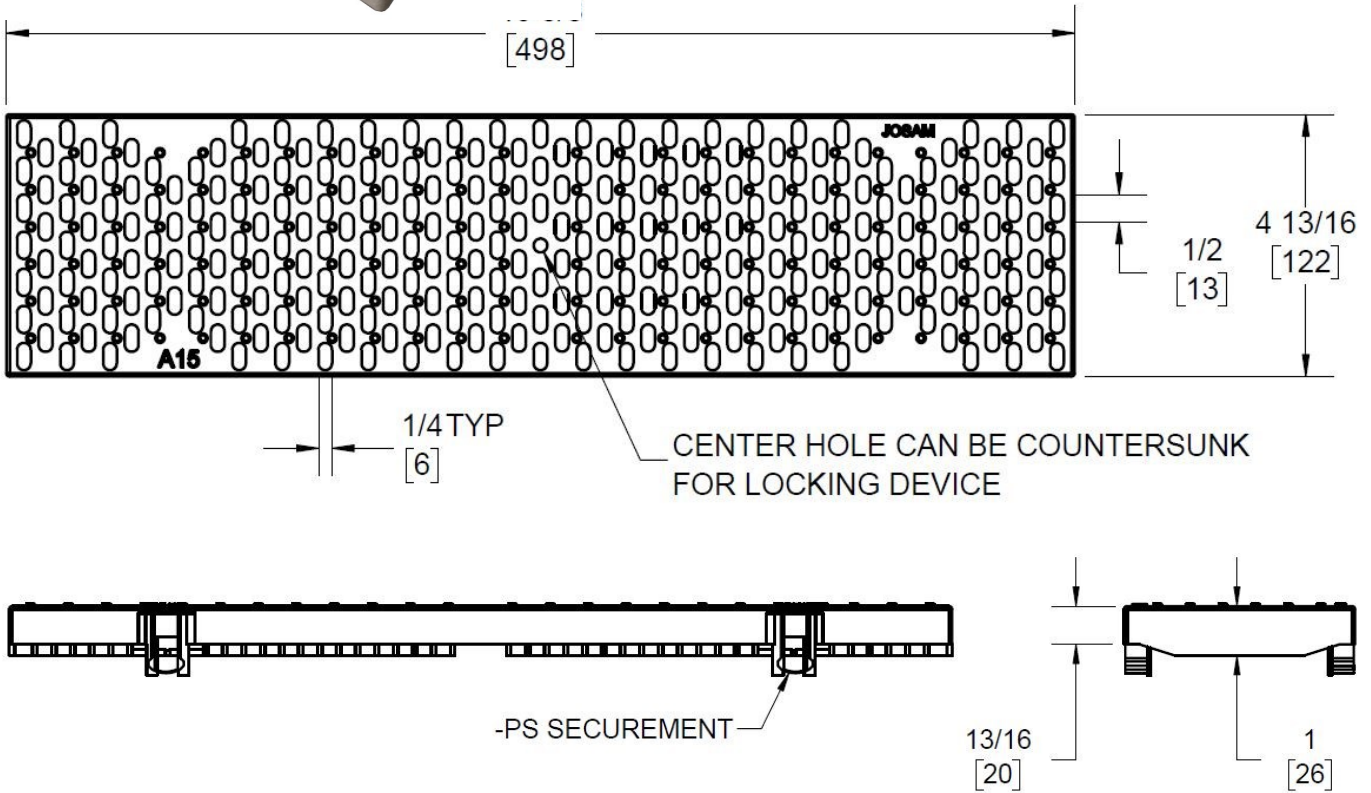
IIIIITRENCHIFY

www.trenchify.com

<p>Number</p> <p>100-HDPE-A-PS</p>	<p>Series</p> <p>CPS100</p> <p>A Class HDPE Perforated Grate</p> <p>Pro Plus 100</p>
--	--



NOTE:
ESTIMATED FREE AREA IS 34.1 SQ. IN.
PER 1/2 METER GRATE



Manufacturer



Specification

JOSAM 100-HDPE-A-PS GREY HIGH DENSITY POLYETHELENE PERFORATED GRATE WITH -PS (PRO-SNAP™) LOCK. MEETS CLASS A LOADING REQUIREMENTS. MEETS ADA AND HEEL-PROOF REQUIREMENTS, SUPPLIED BY TRENCHIFY.

DISCLAIMER - The customer and the customer's architects, engineers, consultants, and other professionals are completely responsible for the selection installation and maintenance of any product purchased from Trenchify and/or its manufacturers. TRENCHIFY MAKES NO WARRANTY, EXPRESS OR IMPLIED, AS TO THE SUITABILITY, DESIGN, MERCHANTABILITY, OR FITNESS OF THE PRODUCT FOR CUSTOMERS APPLICATION. The drawing and information provided remain the property and copyright of the manufacturer listed. The manufacturer reserves the right to modify specification without notice.

1-877-903-7246

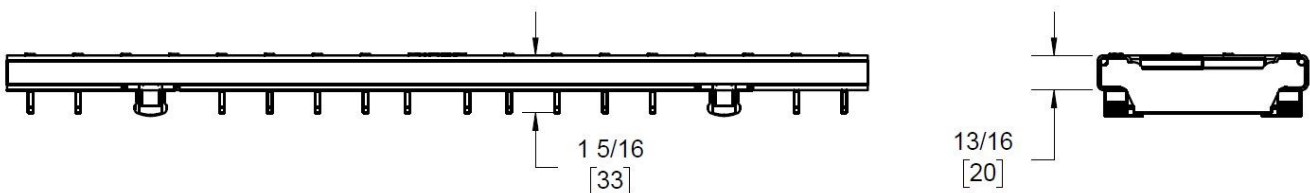
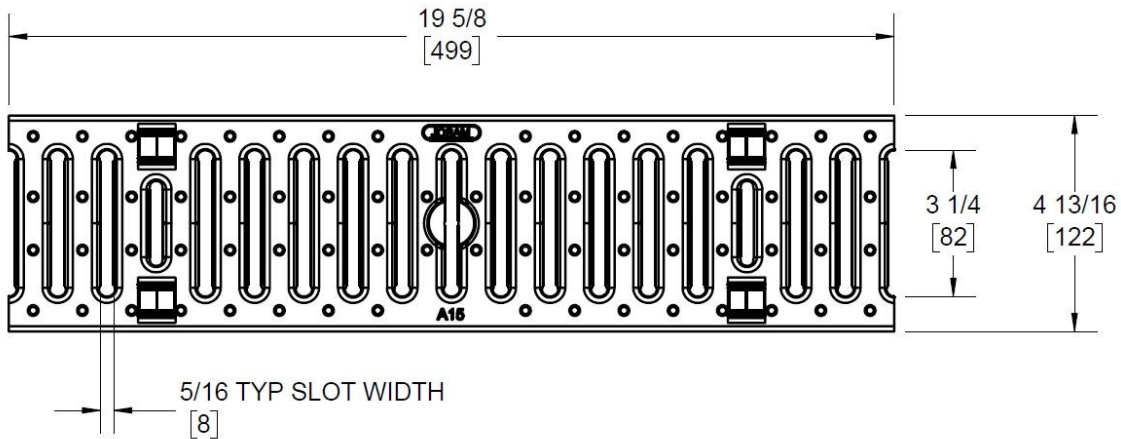
IIIIITRENCHIFY

www.trenchify.com

<p>Number</p> <p>100-GSS-C-PS</p>	<p>Series</p> <p>CPS100</p> <p>C Class Galvanized Slotted Grate</p> <p>Pro Plus 100</p>
---	---



NOTE:
FREE AREA IS 16.5 SQ. IN.
PER 1/2 METER GRATE



Manufacturer



Specification

JOSAM 100-GSS-C-PS GALVANIZED STEEL SLOTTED GRATE WITH PRO-SNAP™ SECUREMENT. MEETS CLASS C LOADING REQUIREMENTS. MEETS ADA AND HEELPROOF SLOT REQUIREMENTS. SUPPLIED BY TRENCHIFY.

DISCLAIMER - The customer and the customer's architects, engineers, consultants, and other professionals are completely responsible for the selection installation and maintenance of any product purchased from Trenchify and/or its manufacturers. TRENCHIFY MAKES NO WARRANTY, EXPRESS OR IMPLIED, AS TO THE SUITABILITY, DESIGN, MERCHANTABILITY, OR FITNESS OF THE PRODUCT FOR CUSTOMERS APPLICATION. The drawing and information provided remain the property and copyright of the manufacturer listed. The manufacturer reserves the right to modify specification without notice.

1-877-903-7246

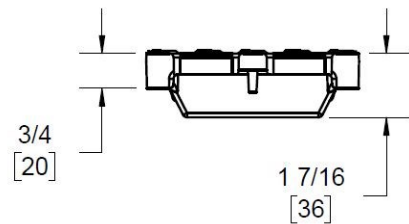
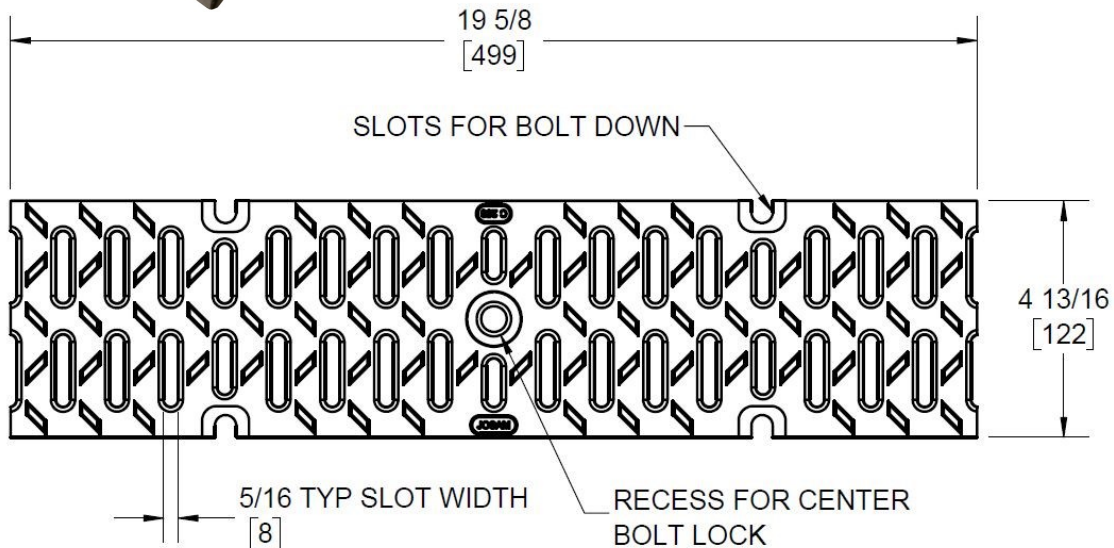
IIIIITRENCHIFY

www.trenchify.com

Number 100-GRP-C	Series CPS100 C Class GRP Slotted Grate Pro Plus 100
---------------------------------------	---



NOTE:
 FREE AREA IS 15.1 SQ. IN.
 PER 1/2 METER GRATE



LOCKING BAR (ORDER SEPERATELY)	360141
BOLT DOWN (ORDER SEPERATELY)	360143

Manufacturer



Specification

JOSAM 100-GRP-C SHEET MOLDED COMPOUND GLASS REINFORCED POLYESTER SLOTTED GRATE WITH CENTER HOLE FOR LOCKING BAR SECUREMENT OR BOLT DOWN LOCK. MEETS CLASS C LOADING REQUIREMENTS. ADA AND HEELPROOF SUPPLIED BY TRENCHIFY.

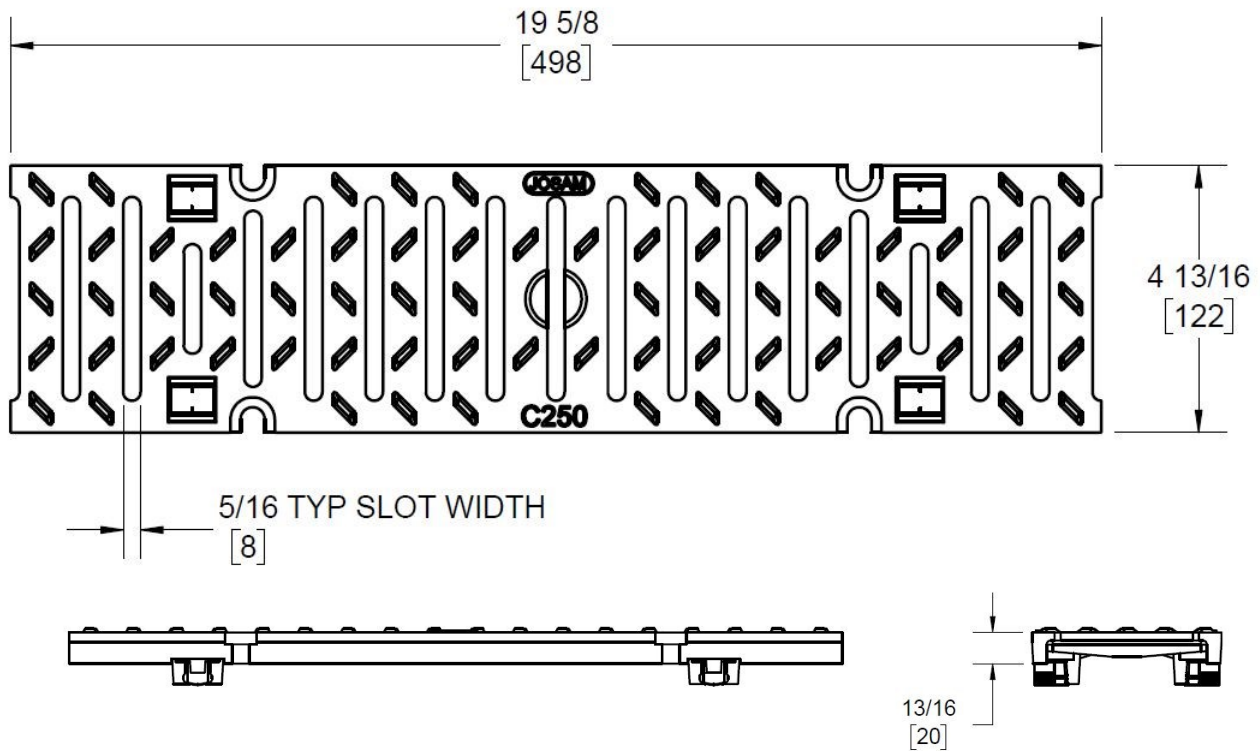
DISCLAIMER - The customer and the customer's architects, engineers, consultants, and other professionals are completely responsible for the selection installation and maintenance of any product purchased from Trenchify and/or its manufacturers. TRENCHIFY MAKES NO WARRANTY, EXPRESS OR IMPLIED, AS TO THE SUITABILITY, DESIGN, MERCHANTABILITY, OR FITNESS OF THE PRODUCT FOR CUSTOMERS APPLICATION. The drawing and information provided remain the property and copyright of the manufacturer listed. The manufacturer reserves the right to modify specification without notice.

1-877-903-7246

IIIIITRENCHIFY

www.trenchify.com

<p>Number</p> <p>100-DIS-C-PS</p>	<p>Series</p> <p>CPS100</p> <p>C Class Ductile Iron Slotted Grate</p> <p>Pro Plus 100</p>
---	---



Manufacturer



Specification

JOSAM 100-DIS-C-PS EPOXY-COATED, DUCTILE IRON SLOTTED GRATE WITH PRO-SNAP™ SECUREMENT. DESIGNED TO FIT PROPLUS™ 100 SIZE CHANNEL. MEETS CLASS C LOADING REQUIREMENTS. MEETS ADA AND HEELPROOF SLOT REQUIREMENTS, SUPPLIED BY TRENCHIFY.

DISCLAIMER - The customer and the customer's architects, engineers, consultants, and other professionals are completely responsible for the selection installation and maintenance of any product purchased from Trenchify and/or its manufacturers. TRENCHIFY MAKES NO WARRANTY, EXPRESS OR IMPLIED, AS TO THE SUITABILITY, DESIGN, MERCHANTABILITY, OR FITNESS OF THE PRODUCT FOR CUSTOMERS APPLICATION. The drawing and information provided remain the property and copyright of the manufacturer listed. The manufacturer reserves the right to modify specification without notice.

1-877-903-7246

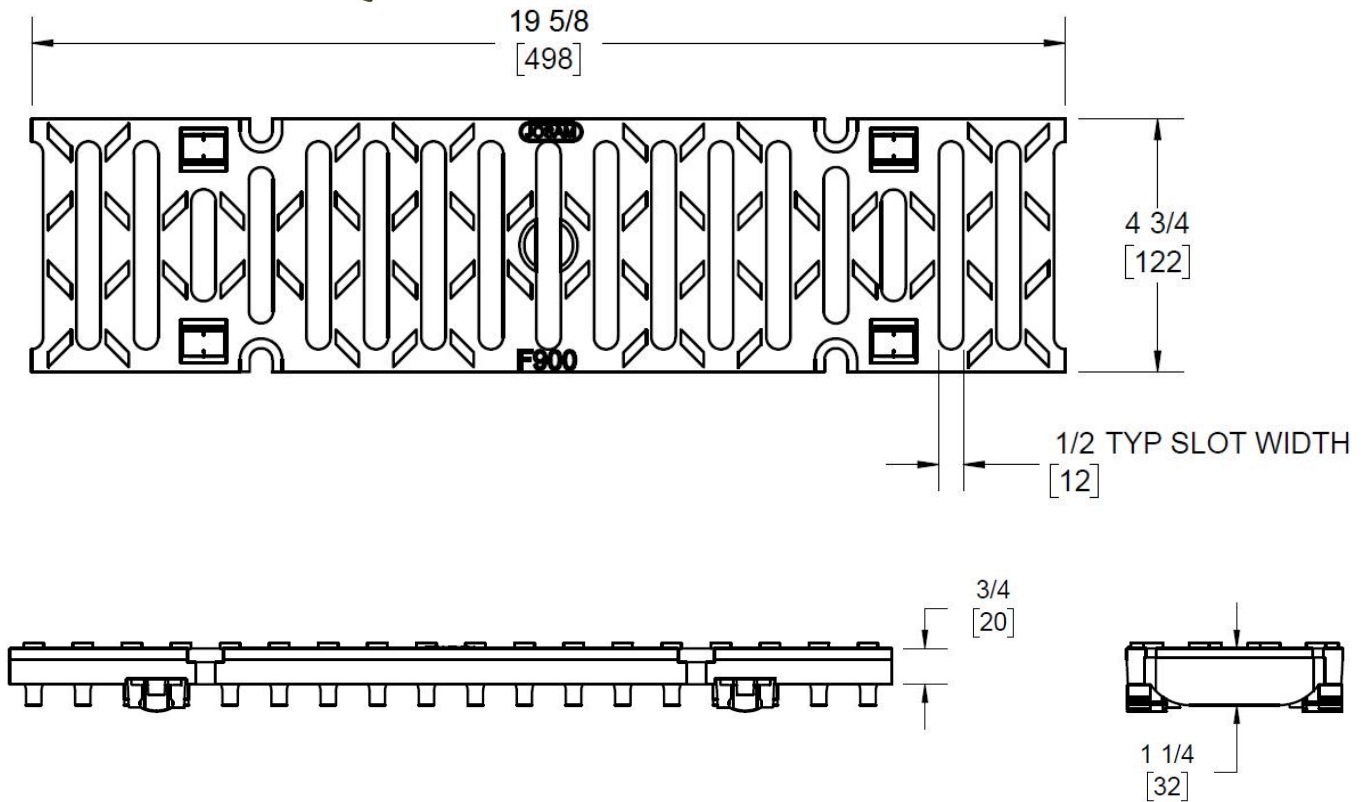
IIIIITRENCHIFY

www.trenchify.com

<p>Number</p> <p>100-DIS-F-PS</p>	<p>Series</p> <p>CPS100</p> <p>F Class Ductile Iron Slotted Grate</p> <p>Pro Plus 100</p>
---	---



NOTE:
FREE AREA IS 28.6 SQ. IN.
PER 1/2 METER GRATE



Manufacturer



Specification

JOSAM 100-DIS-F-PS EPOXY COATED, DUCTILE IRON SLOTTED GRATE WITH PRO-SNAP™ SECUREMENT. DESIGNED TO FIT PROPLUS 100 SIZE CHANNEL. MEETS CLASS F LOADING REQUIREMENTS. MEETS ADA SLOT REQUIREMENTS SUPPLIED BY TRENCHIFY.

DISCLAIMER - The customer and the customer's architects, engineers, consultants, and other professionals are completely responsible for the selection installation and maintenance of any product purchased from Trenchify and/or its manufacturers. TRENCHIFY MAKES NO WARRANTY, EXPRESS OR IMPLIED, AS TO THE SUITABILITY, DESIGN, MERCHANTABILITY, OR FITNESS OF THE PRODUCT FOR CUSTOMERS APPLICATION. The drawing and information provided remain the property and copyright of the manufacturer listed. The manufacturer reserves the right to modify specification without notice.