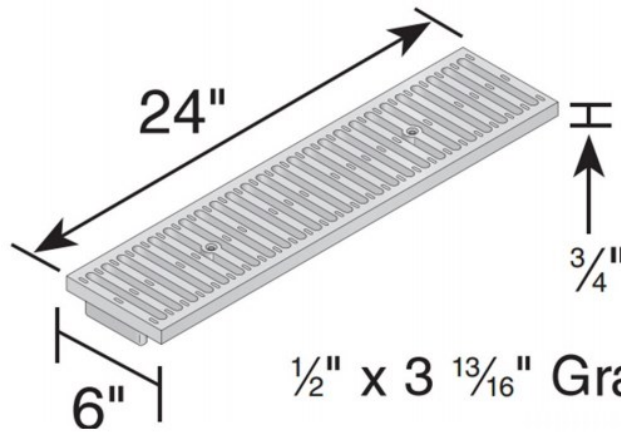


1-877-903-7246


IIIIITRENCHIFY

www.trenchify.com

| | |
|--|---|
| <p>Number NDS-660, 661, 661LG, 662, 664 & 665</p> | <p>Series NDL150 B HDPE Slotted Grate</p> |
|--|---|



| PART NUMBER | DIMENSIONS | FREE AREA |
|-------------|------------|---------------|
| 660 - 665 | 24" Long | 25.40 SQ. IN. |

| | |
|--|--|
| <p>Manufacturer</p>  | <p>Specification</p> <p>NDS 660-665 SLOTTED TRENCH DRAIN GRATE WITH CLASS B LOAD RATING (28,100 LBS. - 175 PSI),</p> <p>SUPPLIED BY TRENCHIFY</p> |
|--|--|

DISCLAIMER - The customer and the customer's architects, engineers, consultants, and other professionals are completely responsible for the selection installation and maintenance of any product purchased from Trenchify and/or its manufacturers. TRENCHIFY MAKES NO WARRANTY, EXPRESS OR IMPLIED, AS TO THE SUITABILITY, DESIGN, MERCHANTABILITY, OR FITNESS OF THE PRODUCT FOR CUSTOMERS APPLICATION. The drawing and information provided remain the property and copyright of the manufacturer listed. The manufacturer reserves the right to modify specification without notice.