

1-877-903-7246

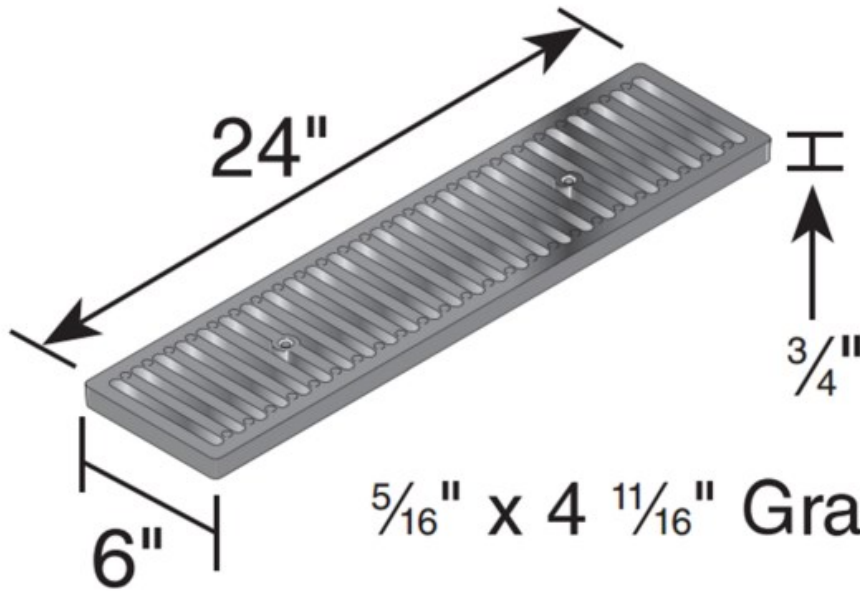
IIIIITRENCHIFY


www.trenchify.com

Number NDS DS-232	Series NDL150 D Ductile Iron Slotted Grate
------------------------------------	--



<u>PART NUMBER</u>	<u>DIMENSIONS</u>	<u>FREE AREA</u>
DS-232	24" Long	20.85 SQ. IN.



Manufacturer 	Specification NDS DS-232 DUCTILE IRON SLOTTED TRENCH DRAIN GRATE WITH CLASS B LOAD RATING (89,920 LBS. - 575 PSI), SUPPLIED BY TRENCHIFY
--	---

DISCLAIMER - The customer and the customer's architects, engineers, consultants, and other professionals are completely responsible for the selection installation and maintenance of any product purchased from Trenchify and/or its manufacturers. TRENCHIFY MAKES NO WARRANTY, EXPRESS OR IMPLIED, AS TO THE SUITABILITY, DESIGN, MERCHANTABILITY, OR FITNESS OF THE PRODUCT FOR CUSTOMERS APPLICATION. The drawing and information provided remain the property and copyright of the manufacturer listed. The manufacturer reserves the right to modify specification without notice.